

Omnia VOLT® (AM Version)



THANK YOU FOR PURCHASING THE OMNIA VOLT.

We have made this Omnia processor easy to set up and configure. This quick-start guide will take you through the basic steps to configure your new Omnia VOLT. You're just a few steps away from being able to deliver a cleaner, clearer, louder, and more consistent AM sound! Before we get started, let's make sure you have what you need.

THE FOLLOWING ITEMS ARE REQUIRED FOR INSTALLATION:

- Omnia VOLT Audio Processor
- AC Power Cable
- RJ45 Studio Hub standard pinout AES Adaptors
- 4 rack screws
- Rack with an EIA rack space for mounting
- Philips screwdriver or screw gun
- Standard XLR connectors if setting up a line-level analog audio source
- Ethernet cable if setting up a Remote and/or Livewire connection

RACK MOUNTING



1. **Install** the VOLT in your equipment rack using the 4 supplied screws. If only two screws are used for installation, they **MUST** be installed in the bottom holes (A) of the rack ears. As a best practice, leave a blank space above and below the unit for proper ventilation and cooling.

AUDIO CONNECTIONS

1. Determine the inputs and outputs that are appropriate for your installation.

AUDIO INPUT - Both analog and digital input sources may be connected simultaneously, however, only the input source that has been selected in the Input menu will be active.



- a. For balanced line-level analog audio, **connect** XLR audio cables to the ANALOG LEFT IN and/or RIGHT IN jacks (B).
- b. For AES digital audio, **connect** the dual female XLR "Studio Hub" adaptor cable provided to the RJ-45 AES IN/SYNC jack (C).
- c. For an existing Axia or Livewire system, **connect** an Ethernet cable from the Livewire network to the Livewire jack (D).

AUDIO CONNECTIONS (CONT.)

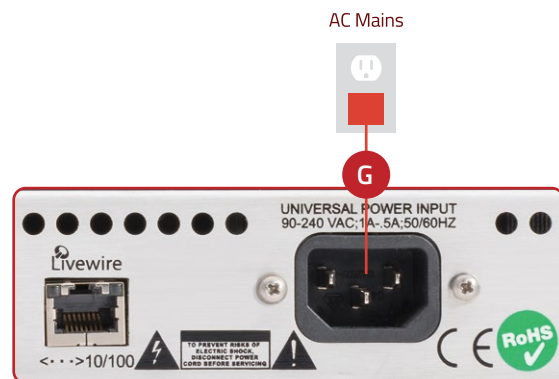
AUDIO OUTPUT - All outputs are active simultaneously.

NOTE: The hardware is common to all VOLT units so please note that the rear panel BNC jacks are inactive when running the AM version.



- For balanced line-level analog, **connect** XLR audio cables to the ANALOG LEFT OUT and/or RIGHT OUT jacks (E).
- For AES/EBU digital audio, **connect** the male XLR "Studio Hub" adaptor cable provided to the RJ-45 AES OUT jack (F).
- For an existing Axia or Livewire system, the single Livewire Ethernet connection made in the input setup is all that is needed for audio I/O (D).

- Connect** the Omnia VOLT to AC Mains (G) using the AC power cable supplied. Make sure the power source is properly grounded. There is no power switch.
- Once power is supplied, a red power indicator (H) next to the LCD (I) will light up. The LCD will remain dark for about 25 seconds, then will display "Omnia VOLT" as the startup sequence progresses. A few seconds later, the main menu will be displayed.



CONTINUE TO AUDIO CONFIGURATION

The initial set-up of your Omnia VOLT is complete and ready to be configured. Continue to the "Audio Configuration" instructions.

INPUT CONFIGURATION

The Omnia VOLT can be set up and customized for your station's sound directly from the front panel. Note that all of the front panel functions, and more, can also be accessed via password protected login from networked computers, tablets or smartphones. For instructions on how to configure via networked devices, please refer to the Remote Control chapter in the Omnia VOLT manual.



1. Navigating input configuration on the front panel is simple and intuitive. **Rotate** the red jog wheel (J) to scroll through options displayed on the LCD screen(I), increase/decrease numeric options and more. **Press** the jog wheel (J) to make a navigation selection or to enter settings.
2. From the front LCD screen, **rotate** the red jog wheel until Input/Output is highlighted. **Press** the jog wheel in to select.
3. **Rotate** the jog wheel until Input is highlighted. **Press** to select.
4. **Rotate** the jog wheel until Input Src is highlighted. **Press** to select.
5. **Rotate** the jog wheel to select the appropriate input source. **Press** to select.
6. **Rotate** the jog wheel until Mono Mode is highlighted. **Press** to select.
7. **Rotate** the jog wheel to choose the appropriate mode. For example, if your input is stereo but you'll be feeding mono to the transmitter(s), **choose** Mono L+R. If your input is mono and is plugged into the left input jack, **choose** Mono L.
8. **Feed** regular program material at your station's normal level (usually 0 VU on the console meters). **Adjust** VOLT's appropriate Level control so its input LEDs bounce up to about -16 to -12 dB on peaks. **Press** the jog wheel to accept the setting.
9. **Rotate** the jog wheel until Exit is highlighted. **Press** to return to the Input/Output menu screen.



OUTPUT CONFIGURATION

1. Navigating output configuration on the front panel is simple and intuitive. **Rotate** the red jog wheel (J) to scroll through options displayed on the LCD screen(I), increase/decrease numeric options and more. **Press** the jog wheel (J) to make a navigation selection or to enter settings.
2. From the front LCD screen, **rotate** the red jog wheel until Input/Output is highlighted. **Press** the jog wheel in to select.
3. **Rotate** the jog wheel until Output is highlighted. **Press** to select.
4. **Rotate** the jog wheel to highlight the appropriate Level control for the output being used. **Press** to select.
5. **Rotate** the jog wheel to adjust the output level as appropriate for the next device. **Press** to accept the setting.
6. **Exit** and **return** to the Output menu screen.
7. **Rotate** the jog wheel to highlight Out Options. **Press** to select.
8. Here you can set the polarity independently for each output channel if needed, **set** the positive modulation percentage (Asym Mod), the Wide and Narrow mode lowpass filter frequency and finally the tilt adjustments if using an older plate-modulated transmitter. **Exit** and **repeat** Steps 3 to 6 above if needed, being sure that your negative modulation stays below 100% and that only the positive modulation increases with the Asym Mod control. If not, you can conveniently invert the polarity of the output being used here.
9. **Exit** and **return** to the Input/Output menu screen and then to the main menu.
10. From the main menu, **rotate** the jog wheel to highlight Processing, **press** to select.

AUDIO CONFIGURATION (CONT.)



10. **Rotate** the jog wheel to highlight Preset. **Press** to select. **Feed** normal program material and **rotate** to choose a preset for your initial setup.

Note: Most presets have both wide-band (WB) and narrow-band (NB) variants. WB presets are optimized for normal 6-10kHz LPF settings while NB presets are optimized for where 4.5-5.5 kHz LPF settings must be used. Press to select and return to the Processing menu. You'll be able to change the preset and/or fine-tune its settings later.

10. If you want to adjust a factory preset from the front panel, from Processing, **rotate** the jog wheel to highlight QuickTweak. **Press** to select.

10. **Rotate** the jog wheel to highlight Clip Drive then **press** to select. **Rotate** to set the drive for the best compromise between loudness and distortion. You'll be able to refine this adjustment and others at any time using either the front panel interface or the browser based interface. **Press** the jog wheel to accept then **exit** and **return** to the Processing menu.

Note: Using a very high Clip Drive setting temporarily to set your positive modulation (Asym Mod in Step 8 above) can make it easier to set properly.

10. If you have made changes to a preset, from the Processing menu, **rotate** the jog wheel to highlight Save Preset. **Press** to select. With Name highlighted, **press** and provide a preset name for the settings you just created. When finished, **rotate** to Save and **press** to return to the Processing menu. This can serve as a baseline while you do the next step.

10. **Read the complete user manual!** There are many layers to Omnia VOLT, and our easy to read manual will help teach you how to shape your sound with the best in Omnia processing for your station and market. Take the time to experiment, learn, and enjoy the results!

YOUR SETUP IS COMPLETE!

That's it! You are now ready to experience Omnia VOLT, for sound like never before.

INSTALLATION HELP

For more details about the Omnia VOLT, or to download the full manual please visit <http://www.TelosAlliance.com/Volt>.

If you have more questions, call the Telos Alliance 24/7 Support Team at **+1 (216) 622-0247**, or email us at support@telosalliance.com. We're always happy to hear from you and offer help if you need it.

This Page Intentionally Left Blank

QUICK LINKS

Subscribe to our Newsletter
Weekly updates on all things broadcast via email

TelosAlliance.com/newsletter

Social Media

Facebook: @TelosAlliance

Twitter: @TelosAlliance

LinkedIn: /TelosAlliance

YouTube: TelosAllianceTV

Product Catalog

TelosAlliance.com/catalog

24/7 Tech Support

Radio: +1 (216) 622-0247

TV: +1 (717) 735-3611

Radio: support@telosalliance.com

TV: support@linearacoustic.com

